



# Modular Check Valve

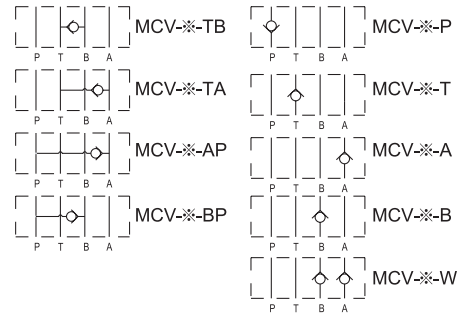
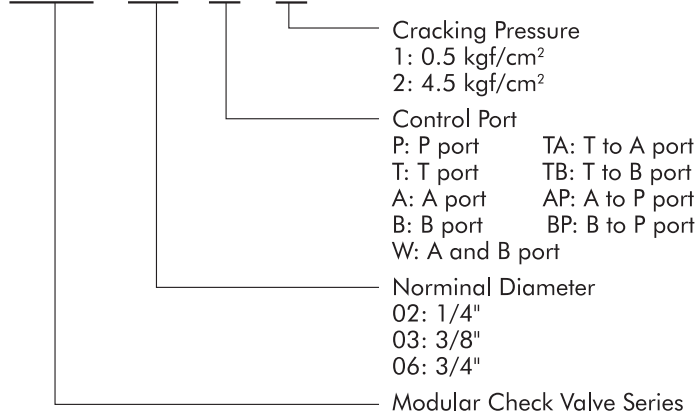
## Features:

1. Modular check valve is widely applied in all kinds of circuits.
2. Simple and compact, has two kinds of cracking pressures to meet system requirement.



## ■ HOW TO ORDER

**MCV - 02 - P - 1**



## Handling:

1. Differential circuit can be easily configured at P→B by attaching MCV-\*\*-A above the MCV-\*\*-AP on the subplate.

## ■ SPECIFICATIONS

Model No.	Maximum Working pressure kgf/cm <sup>2</sup>	Maximum flow l/min	Cracking pressure kgf/cm <sup>2</sup>	Weight kgs	Gasket surface Dimensions
MCV-02-P -A -B -T -TA -TB -AP -BP	250	50	1: 0.5 2: 4.5	1.2	ISO 4401-03-02-0-94
MCV-02-W				1.3	
MCV-03-P -A -B -T -TA -TB -AP -BP	250	100	1: 0.5 2: 4.5	2.5	ISO 4401-05-04-0-94
MCV-03-W				3.5	
MCV-06-P	250	180	1: 0.5    2: 4.5	14.0	ISO 4401-08-07-0-94

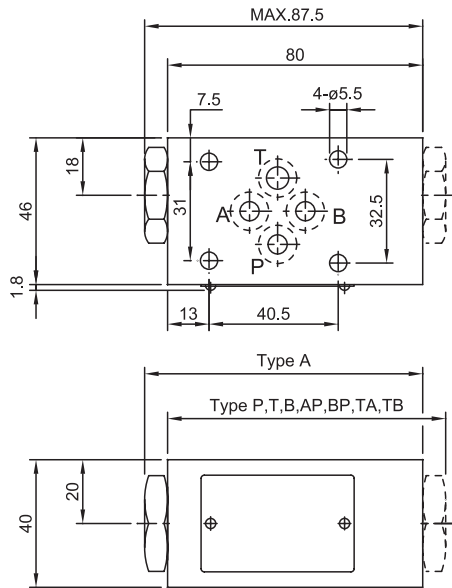


# Modular Check Valve

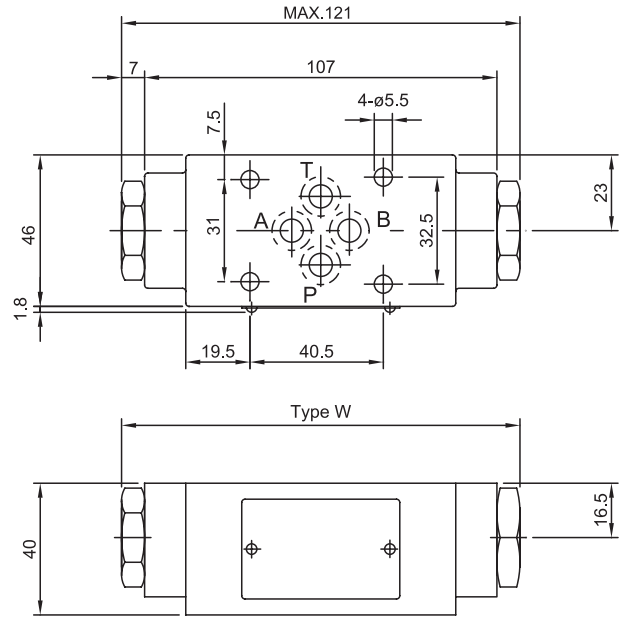
## ■ INSTALLATION DIMENSIONS:

UNIT: mm

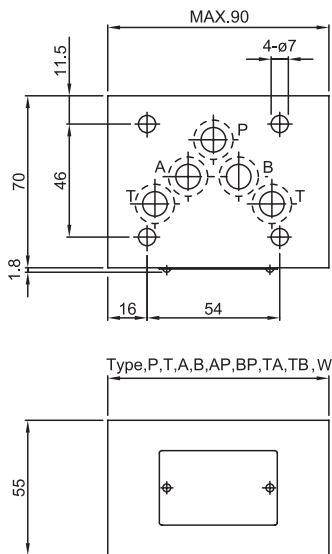
MCV-02-A. B. P. T. AP. BP. TA. TB



MCV-02-W



MCV-03



MCV-06-P

