

Avviso

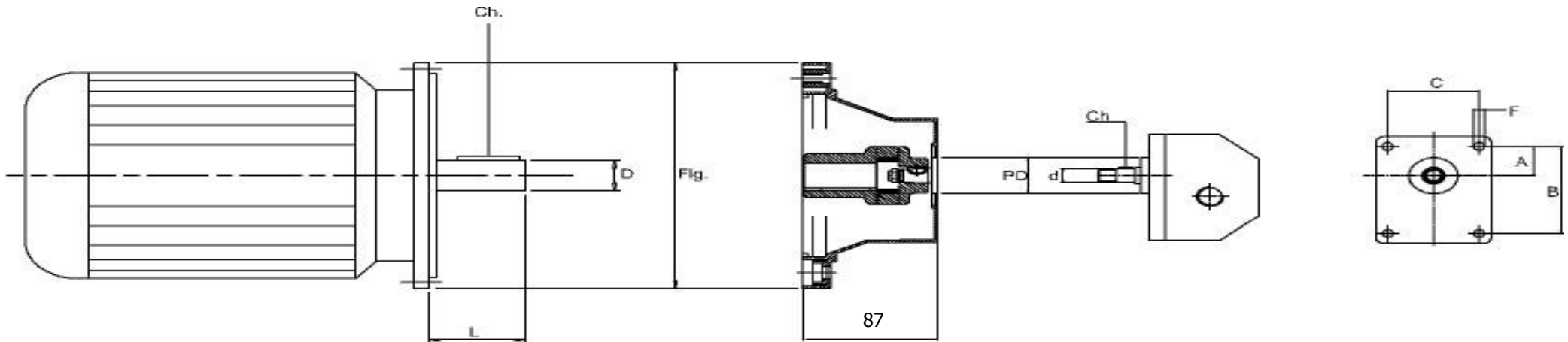
| ELECTRIC MOTOR | | 2 P |
|-----------------------|-----------|-------------|
| kW | Hp | Size |
| 1,5-2,2 | 2-3 | 90 |

COMPLETE COUPLING ARRANGEMENT

| GEAR PUMP DATA | | | | | | | | | |
|-----------------------|--------------|----------|----------|----------|-------------|-----------|----------|------------|-----------|
| Group | Cent. | A | B | C | Hole | CF | d | FSP | Ch |
| 1P | 25,5 | 26,2 | 72 | 52 | M6 | FS100 | 9,7 | FS100 | 2,4 |

Attention: Check overall dimensions of the pump. MP Filtri S.p.A. is not responsible for any change the pump manufacturer apply to the pump design.

| Dimension | | | |
|------------------|----------|-----------|------------|
| L | d | Ch | Flg |
| 50 | 24 | 8 | 200 |



Coupling Code
Arrangement Code

AKG05FS100
 AKA05FS100P4E

Bellhousing Code

LMC200MFS1004E

Half Coupling Ordering Code

SGEA01M04048

EGE 0 GS

SGEA01FS100